

GENERAL ELECTRIC

Miniature and Subminiature Lamp Specifications

GE Lamp No.	Bulb	Design Volts	Design Amps. (A) Watts (W)	Approx. Mean Spherical Candle-power	Base	Aircraft Service	Federal Stock FSN6240-	Military Standard M.S.	Fig. No.
PR2	B-3½	2.38	.50A	.80 ⁽²⁾	S.C. Min. Flanged	10	155-7786	—	1
PR3	B-3½	3.57	.50A	1.50	S.C. Min. Flanged	10	155-7916	—	1
PR4	B-3½	2.33	.27A	.40	S.C. Min. Flanged	10	984-1887	—	1
PR6	B-3½	2.47	.30	.45	S.C. Min. Flanged	10	155-8675	—	1
PR7	B-3½	3.70	.30A	.90	S.C. Min. Flanged	10	155-7915	—	1
PR12	B-3½	5.95	.50A	3.10	S.C. Min. Flanged	10	299-6767	—	1
PR18	B-3½	7.20	.55A	5.50	S.C. Min. Flanged	10	940-7085	—	1
KPR141	B-3½	2	1.20A	1.40	S.C. Min. Flanged	10	—	—	1
43	T-3¼	2.50	.50A	.50	Miniature Bayonet	1	155-7929	—	11
44	T-3¼	6.30	.25A	.90	Miniature Bayonet	1	057-2887	15571-1	11
47	T-3¼	6.30	.15A	.52	Miniature Bayonet	1	155-8706	15571-2	11
49	T-3¼	2	.06A	.04	Miniature Bayonet	1	155-8683	—	11
51	G-3½	7.50	.22A	1	Miniature Bayonet	1	011-5273	—	15
55	G-4½	7	.41A	2	Miniature Bayonet	1	012-5588	15572-1	17
57	G-4½	14	.24A	2	Miniature Bayonet	1	012-7934	WL 00111/41A	17
67	G-6	13.5	.59A	4	S.C. Bayonet	2	155-8717	15570-67	2
81	G-6	6.5	1.02A	6	S.C. Bayonet	1,2,9	014-2306	15570-81	2
93	S-8	12.8	1.04A	15	S.C. Bayonet	2	014-2454	35478-93	3
94	S-8	12.8	1.04A	15	D.C. Bayonet	2	014-2455	15584-2	6
209	B-6	6.5	1.78A	15	S.C. Bayonet	10	538-8543	—	4
301	G-5	28	.17A	3	S.C. Bayonet	1,2	155-7947	25238-301	5
302	G-5	28	.17A	3	D.C. Bayonet	1,2	155-7926	15613-2	7
303	G-6	28	.30A	6	S.C. Bayonet	1,2	155-7848	15570-303	2
304	G-6	28	.30A	6	D.C. Bayonet	1,2	155-7793	15569-8	8
305	S-8	28	.51A	15	S.C. Bayonet	2	155-7791	15569-305	3
305AF	S-8	28	.51A	—	S.C. Bayonet	2	295-1680	—	3
306	S-8	28	.51A	15	D.C. Bayonet	2	155-7795	15584-15	6
307	S-8	28	.67A	21	S.C. Bayonet	2	155-7784	35478-307	3
307AF	S-8	28	.67A	—	S.C. Bayonet	2	222-0264	—	3
307R	S-8	28	.67A	—	S.C. Bayonet	2	155-7788	35478-307R	3
307SB	S-8	28	.67A	—	S.C. Bayonet	2	155-7787	35478-307SB	3
308	S-8	28	.67A	21	D.C. Bayonet	2	155-7790	15584-16	6
308AF	S-8	28	.67A	—	D.C. Bayonet	2	155-7785	—	6
309	S-11	28	.9A	32	S.C. Bayonet	2	155-7963	—	9
309AF	S-11	28	.9A	—	S.C. Bayonet	2	299-7513	—	9
310	S-11	28	.9A	32	D.C. Bayonet	2	155-7936	—	10
311	S-11	28	1.29A	50	S.C. Bayonet	2	155-7924	25235-311	9
311R	S-11	28	1.29A	—	S.C. Bayonet	2	155-7932	25235-R311	9
313	T-3¼	28	.17A	3.5 ⁽²⁾	Miniature Bayonet	1,2	155-8714	25231-313	11
315	S-8	28	.90A	32	S.C. Bayonet	3	155-7965	35478-315	3
316	T-3¼	6	.70A	3.4 ⁽²⁾	Miniature Bayonet	1,2	817-9803	25231-316	11
323	T-1¼	3	.19A	.25 ⁽²⁾	Special ⁽⁵²⁾	1	155-7864	25236-323	12
325	T-1¼	3	.19A	.25 ⁽²⁾	Special ⁽⁴⁵⁾	1	635-9800	51608-3	—
327	T-1¼	28	.04A	.34 ⁽²⁾	S.C. Mid. Flanged	1	155-7836	25237-327	13
327AS15	T-1¼	28	.04A	.34±15%	S.C. Mid. Flanged	1	080-2012	25237-327AS15	13
327R	T-1¼	28	.04A	—	S.C. Mid. Flanged	1	272-8601	25237-327R	13
328	T-1¼	6	.20A	.34 ⁽²⁾⁽¹⁰⁾	S.C. Mid. Flanged	1	155-7857	25237-328	13
328AS10	T-1¼	6	.20A	.34 ^{(10)±10%}	S.C. Mid. Flanged	1	801-5941	25237-328AS10	13
330	T-1¼	14	.08A	.50 ⁽²⁾	S.C. Mid. Flanged	1	851-4352	25237-330	13
334	T-1¼	28	.04A	.34 ⁽²⁾	Midget Grooved	1	295-1617	—	14
336	T-1¼	14	.08A	.50 ⁽²⁾	Midget Grooved	1	836-4980	—	14
345	T-1¼	6	.04A	.04	S.C. Midget Flanged	1	683-0560	—	13
356⁽¹⁴⁾	G-3½	28	.17A	3.5 ⁽²⁾	Miniature Bayonet	1	155-7866	15573-3	15
381	T-1¼	6.30	.20A	.40	S.C. Midget Flanged	1	—	—	13
382	T-1¼	14	.08A	.30	S.C. Midget Flanged	1	—	—	13
387	T-1¼	28	.04A	.30 ⁽²⁾	S.C. Midget Flanged	1	763-7744	18209-387	13
388	T-1¼	28	.04A	.30	S.C. Midget Flanged	1	—	—	13

Miniature and Subminiature Lamp Specifications

GE Lamp No.	Bulb	Design Volts	Design Amps. (A) Watts (W)	Approx. Mean Spherical Candle-power	Base	Aircraft Service	Federal Stock FSN6240-	Military Standard M.S.	Fig. No.
394	T-1¾	12	.04A	.10	S.C. Midget Flanged	1	—	—	13
400	T-3¼	28	.10A	1.6 ⁽²⁾	Wedge	1	—	—	16
425	G-4½	5	.50A	2.30	Miniature Screw	10	519-1520	—	17
456	G-4½	28	.17A	2	Miniature Bayonet	1	941-8479	—	17
464	T-3¼	28	.17A	3.0 ⁽²⁾	Wedge	1	—	—	16
623	G-6	28 ⁽³⁾	.37A	6	S.C. Bayonet	1,2	019-3093	15570-623	2
680	T-1	5	.06A	.03±25%	Wire Terminal ⁽¹²²⁾	1	878-1965	24367-680	19
683	T-1	5	.06A	.05±25%	Wire Terminal ⁽¹²²⁾	1	060-2941	24367-683	19
683AS15	T-1	5	.06A	.05±15%	Wire Terminal ⁽¹²²⁾	1	062-6173	24367-683AS15	19
685	T-1	5	.06A	.05±25%	Sub-Midget Flanged	1	752-2581	24515-685	18
705	S-8	28	.51A	15	S.C. Bayonet	2	—	—	3
715	T-1	5	.115A	.15±25%	Wire Terminal ⁽¹²²⁾	1	080-4508	24367-715	19
718	T-1	5	.115A	.15±25%	Sub-Midget Flanged	1	764-8237	24515-718	18
718AS15	T-1	5	.115A	.15±15%	Sub-Midget Flanged	1	954-0124	24367-718AS15	18
755	T-3¼	6.30	.15A	.33	Miniature Bayonet	1	941-8487	—	11
756	T-3¼	14	.08A	.31	Miniature Bayonet	1	941-8488	—	11
757	T-3¼	28	.08A	.62	Miniature Bayonet	1	950-1678	—	11
767	T-2¼	6	2.0A	19	Miniature Bayonet	1	—	—	—
1047	RP-11 ⁽⁷³⁾	26	2.70A	105 ⁽²⁾	S.C. Bayonet ⁽⁴⁾	3,5	155-7824	—	20
1133	RP-11 ⁽⁷³⁾	6.2	3.91A	32	S.C. Bayonet	2,9	155-8687	15565-1	20
1141	S-8	12.8	1.44A	21	S.C. Bayonet	2,9	155-7799	35478-1141	3
1142	S-8	12.8	1.44A	21	D.C. Bayonet	2,9	155-8693	15584-4	6
1251	G-6	28 ⁽³⁾	.23A	3	S.C. Bayonet	1,2	019-0877	15570-1251	2
1308	B-6	28	.56A	16	S.C. Bayonet	2	—	—	4
1309	B-6	28 ⁽³⁾	.52A	15	S.C. Bayonet	2	060-4707	—	4
1315	G-5	2.5	1.0A	1.75	S.C. Bayonet	10	—	—	5
1317	B-6	6	.51A	3.40	S.C. Bayonet	10	—	—	4
1383	R-12 ⁽¹³⁵⁾	13	20W	—	S.C. Bayonet	2	539-9659	35480-1	21
1384	R-12 ⁽¹³⁵⁾	6	20W	—	S.C. Bayonet	2	054-9329	35480-3	21
1385	R-12 ⁽¹³⁵⁾	28	20W	—	S.C. Bayonet	2	186-6276	35480-2	21
1414 ⁽¹⁴⁴⁾	T-4½	14	.46A	6	Miniature Bayonet	1	939-5501	—	22
1495 ⁽¹⁴⁾	T-4½	28	.30A	6	Miniature Bayonet	1,2	299-4742	25069-1495	22
1495X	T-4½	28	.30A	6	Miniature Bayonet	1,2	—	25069-1495X	22
1534 ⁽¹⁵⁾⁽¹⁴⁴⁾	S-6	28/5	.34/.55A	6/2	D.C. Index	10	—	—	—
1591	S-8	28	.61A	15	S.C. Bayonet	2	—	—	3
1591AF	S-8	28	.61A	—	S.C. Bayonet	2	—	—	3
1619	S-8	6.70	1.90A	15	S.C. Bayonet	1	924-7506	—	3
1662	S-8	28	.93A	32	D.C. Index	9	877-3405	—	6
1665	S-8	28	.80A	21	S.C. Bayonet	2	241-9703	—	3
1665AF	S-8	28	.80A	—	S.C. Bayonet	2	941-2709	35478-1665AF	3
1680	S-8	6	4.10A	32	S.C. Bayonet	3	870-7778	35478-1680	3
1680X	S-8	6	4.10A	32	S.C. Bayonet	3	—	—	3
1683	S-8	28 ⁽³⁾	1.02A	32	S.C. Bayonet	3	044-6914	35478-1683	3
1691	S-8	28 ⁽³⁾	.61A	15	S.C. Bayonet	2	295-2668	35478-1691	3
1691AF	S-8	28 ⁽³⁾	.61A	—	S.C. Bayonet	2	941-2708	—	3
1692	S-8	28 ⁽³⁾	.61A	15	D.C. Bayonet	2	155-8726	15584-8	6
1731	S-11	6.3	6.6A	47	S.C. Pf (B)	1	946-4793	—	33
1762D	T-1¾	28	.04A	.34	Wire Terminal	1	—	—	31
1764D	T-1¾	28	.04A	.34	Wire Terminal	1	—	—	31
1777	S-8	12.8	1.52A	26 ⁽²⁾	S.C. Bayonet	3	941-2701	—	3
1813	T-3¼	14.4	.10A	.86 ⁽²⁾	Miniature Bayonet	1	155-7697	—	11
1815	T-3¼	14	.20A	1.40	Miniature Bayonet	1	155-7859	15571-8	11
1816	T-3¼	13	.33A	3 ⁽²⁾	Miniature Bayonet	1	155-7949	—	11
1818	T-3¼	24	.17A	3.3 ⁽²⁾	Miniature Bayonet	1	155-7851	—	11
1819	T-3¼	28	.04A	.34 ⁽²⁾	Miniature Bayonet	1	155-8707	25231-1819	11
1820	T-3¼	28	.10A	1.6 ⁽²⁾	Miniature Bayonet	1	143-3173	—	11
1829	T-3¼	28	.07A	1	Miniature Bayonet	1	266-9940	25231-1829	11

Miniature and Subminiature Lamp Specifications

GE Lamp No.	Bulb	Design Volts	Design Amps. (A) Watts (W)	Approx. Mean Spherical Candle-power	Base	Aircraft Service	Federal Stock FSN6240-	Military Standard M.S.	Fig. No.
1843 ⁽¹⁵⁾	T-3¼	28	.022A	.20 ⁽²⁾	Miniature Bayonet	1,2	877-2811	—	11
1850	T-3¼	5	.09A	.25	Miniature Bayonet	5	044-5025	—	11
1864	T-3¼	28	.17A	3.0 ⁽²⁾	Miniature Bayonet	1,2	765-8443	—	11
1873	T-3¼	28	.20A	3 ⁽²⁾	Miniature Bayonet	1,2	419-3185	—	11
1939X	T-7	28	1.79A/50W	70 ⁽²⁾	S.C. Bayonet ⁽⁶⁷⁾	3	361-1411	—	23
1940	T-7	14	3.57A/50W	75 ⁽²⁾	S.C. Bayonet ⁽⁶⁷⁾	3	946-4819	—	23
1958 ⁽¹¹⁴⁾	T-4	28	150W	250 ⁽²⁾	Tab	3	606-0323	—	24
1959 ⁽¹¹⁴⁾	T-4	28	150W	240 ⁽²⁾	Tab	3	885-4049	—	24
1962 ⁽¹¹⁴⁾	T-3	8.5	7.3A	110	Wire Terminal	3	078-9083	—	—
1962DZ ⁽¹¹⁴⁾	T-3	8.5	7.3A	80	Wire Terminal	3	—	—	—
1964 ⁽¹¹⁴⁾	T-3	28	5.36A/150W	230 ⁽²⁾	Special Sleeve	3	948-1096	—	—
1967 ⁽¹¹⁴⁾	T-3	28	5.36A/150W	210 ⁽²⁾	Special Sleeve	3	045-7173	—	—
1968 ⁽¹¹⁴⁾	T-3	28	.89A/25W	15 ⁽²⁾	Double Slide	3,5	054-3661	—	—
1970 ⁽¹¹⁴⁾	T-3	28	3.57A/100W	150	Special Sleeve	3	144-4517	—	—
1970X ⁽¹¹⁴⁾	T-3	28	3.57A/100W	140	Special Sleeve	3	—	—	—
1975 ⁽¹¹⁴⁾	T-3	12.8	1.95A/25W	25 ⁽²⁾	Double Slide	3,5	313-2308	—	—
1976 ⁽¹¹⁴⁾	T-3	13	5.77A	115 ⁽²⁾	Double Slide	3	—	—	—
1977 ⁽¹¹⁴⁾	T-3	8.5	7.3A/62W	110	Double Slide	3	433-2707	—	—
1978X ⁽¹¹⁴⁾	T-3	10	10A/100W	130 ⁽²⁾	Special	3	007-5214	—	—
1982 ⁽¹¹⁴⁾	T-3	28	2.68A/75W	110 ⁽²⁾	S.C. Bayonet	4	—	—	—
1983	T-4	10	10A	130	Wire Terminal	3	—	—	32
1986 ⁽¹¹⁴⁾	T-4	28	250W	600 ⁽²⁾	Wire Terminal	7	—	—	—
1987 ⁽¹¹⁴⁾	T-4	28	150W	240 ⁽²⁾	D.C. Bayonet	3	—	—	—
1988 ⁽¹¹⁴⁾	T-3	10	10A/100W	130 ⁽²⁾	Special, Wire Leads	3	548-3978	—	—
2187D	T-1¾	28	.04A	.30	Wire Terminal	1	—	—	31
2232	S-8	28	.643A	18	S.C. Bayonet	2	—	35478-2232	3
2232SB	S-8	28	.643A	—	S.C. Bayonet	2	—	—	3
2233	S-8	28	.766A	21	S.C. Bayonet	2	01-015-6207	35478-2233	3
3011	S-11	28	1.29A	44 ⁽²⁾	S.C. Bayonet	3	353-5753	25235-3011	9
7327	T-1¾	28	.04A	.34	Bi-Pin M-23	1	402-1791	—	34

Electric Discharge Lamp - Fluorescent Specifications

GE Lamp No.	Primary Application	Design Volts	Watts (Nominal)	MOL (Inches)	Base	Fig. No.
5004CW	Cool white ⁽³²⁾⁽⁷¹⁾	a.c.	4	6	Min. Pinless	30
5004WW	Warm white ⁽³²⁾⁽⁷¹⁾	a.c.	4	6	Min. Pinless	30
5104WW	Warm white ⁽³²⁾⁽⁷¹⁾	a.c.	4	6	Min. Bi-Pin	29
5106WW	Warm white ⁽³²⁾⁽⁷¹⁾	a.c.	6	9	Min. Bi-Pin	—
5008CW	Cool white ⁽³²⁾⁽⁷¹⁾	a.c.	8	12	Min. Pinless	30
5008WW	Warm white ⁽³²⁾⁽⁷¹⁾	a.c.	8	12	Min. Pinless	30
5108WW	Warm white ⁽³²⁾⁽⁷¹⁾	a.c.	8	12	Min. Bi-Pin	29
5013CW	Cool white ⁽³²⁾⁽⁷¹⁾	a.c.	13	21	Min. Pinless	30
5013WW	Warm white ⁽³²⁾⁽⁷¹⁾	a.c.	13	21	Min. Pinless	30
5113WW	Warm white ⁽³²⁾⁽⁷¹⁾	a.c.	13	21	Min. Bi-Pin	29



Sealed Beam Lamp Specifications

(all lamps below have screw terminal bases)

GE Lamp Number	Bulb	Design Volts	Watts	Approx. Init. Max. Beam Candlepower	Approx. Total Spread To 10% Max. CP (Degree)		Aircraft Service	Federal Stock FSN 6240-	Military Standard M.S.	Fig. No.
					Horizontal	Vertical				
4413	PAR 46	12.8	35	1,100	80	20	11	617-0248	—	26
4416	PAR 36	12.8	30	35,000	11	4	10	578-6763	—	25
4421	PAR 46	13	100	23,000	50	7	7	068-5210	—	26
4435	PAR 46	12.8	30	75,000	5	5	9	252-7138	18005-4435	26
4505	PAR 36	28	50	45,000	11	5	3	635-4643	25243-4505	25
* 4509	PAR 36	13	100	110,000	12	6	6	237-7867	25243-4509	25
4515	PAR 36	6.4	30	55,000	5	5	9	635-4407	—	25
4522 ⁽¹⁴⁾⁽⁸³⁾	PAR 46	13	250	290,000	12	10	6	155-7920	25241-4522	26
4537 ⁽⁸³⁾	PAR 46	13	100	200,000	11	6	6	946-9636	—	26
4541 ⁽³⁴⁾⁽⁸³⁾	PAR 56	28	450	470,000	15	11	6	155-7774	18007-4541	27
4551	PAR 46	28	250	75,000	50	10	7	583-3334	24517-4551	26
4552	PAR 64	28	250	500,000	7	8	6	617-0994	25242-4552	28
4553	PAR 46	28	250	300,000	11	12	6	816-4808	25241-4553	26
4554 ⁽¹⁴⁾	PAR 46	28	450	90,000	50	16	7	821-5125	—	26
Q4554 ⁽¹⁴⁾⁽¹¹⁸⁾	PAR 46	28	450	65,000	50	11	7	—	—	26
4555 ⁽¹⁴⁾⁽¹¹⁹⁾	PAR 64	115	1,000	600,000	20	11	6	954-5499	25242-4555	28
4557 ⁽¹⁴⁾	PAR 64	{ 28	1,000	540,000	11	15	6	519-2131	—	28
		28	400	100,000	25	11	7			
4559 ⁽⁸³⁾	PAR 64	28	600	600,000	11	12	6			
Q4559 ⁽¹¹⁸⁾	PAR 64	28	600	600,000	12	8	6	145-1161	25242-Q4559	28
Q4559X ⁽¹¹⁸⁾	PAR 64	28	600	765,000	11	7.5	6	—	—	28
Q4566	PAR 46	28	450	150,000	16	12	7	—	—	26
4570	PAR 46	28	150	32,000	50	9	7	132-5328	28926-4570	26
4571	PAR 46	28	150	7,000	80	25	11	690-1094	—	26
4580 ⁽¹⁴⁾	PAR 46 ⁽¹⁸⁾	28	450	400,000	13	14	6	283-9901	—	26
4581 ⁽¹⁴⁾	PAR 46 ⁽²⁰⁾	28	450	400,000	13	14	6	557-3065	25241-4581	26
4582 ⁽¹⁴⁾	PAR 46	28	450	20,000	50	55	11	594-7138	25241-4582	26
* 4587 ⁽¹⁴⁾	PAR 36	28	250	40,000	40	13	7	557-3426	—	25
* 4589	PAR 36	28	50	5,000	TRAPEZOIDAL		11	635-4406	—	25
* 4591	PAR 36	28	100	90,000	12	6	6	132-5365	25243-4591	25
4593	PAR 36	28	50	1,500	80	30	11	132-5317	—	25
4594	PAR 36	28	100	70,000	13	7	3	295-2118	25243-4594	25
4595	PAR 36	13	100	60,000	14	6	3	954-5503	—	25
* 4596 ⁽¹⁴⁾	PAR 36	28	250	150,000	11	12	6	577-8450	—	25
Q4597 ⁽¹⁴⁾⁽¹¹⁸⁾	PAR 46	28	450	16,000	60	35	11	163-5143	—	26
4614 ⁽⁸²⁾	PAR 36	6	100	85,000	11	6	3	954-5491	—	25
4623	PAR 36	28	100	5,000	35	25	11	—	—	25
4626	PAR 36	28	150	25,000	40	9	7	917-0771	—	25
4627	PAR 36	28	100	3,000	80	30	11	917-0772	—	25
Q4629 ⁽¹¹⁸⁾	PAR 64	28	600	20,000	55	35	11,4	—	—	28
Q4631 ⁽¹⁴⁾⁽¹¹⁸⁾	PAR 36	13	250	80,000	13	12	6	—	—	25
Q4632 ⁽¹⁴⁾⁽¹¹⁸⁾	PAR 36	13	250	75,000	14	12	4	—	—	25
4634	PAR 36	6	75	65,000	11	5	3	—	—	26
4635 ⁽¹⁴⁾	PAR 46	16.5	450	325,000	14	15	6	—	—	26
Q4681 ⁽¹⁴⁾⁽¹¹⁰⁾	PAR 46	28	450	310,000	15	9	6	372-4841	25241-Q4681	26
5557	PAR 64	{ 28	1,000	540,000	11	26	6	—	—	28
		28	400	100,000	15	11	7			

NOMENCLATURE ON LAMP NUMBERS

SERVICE CODE

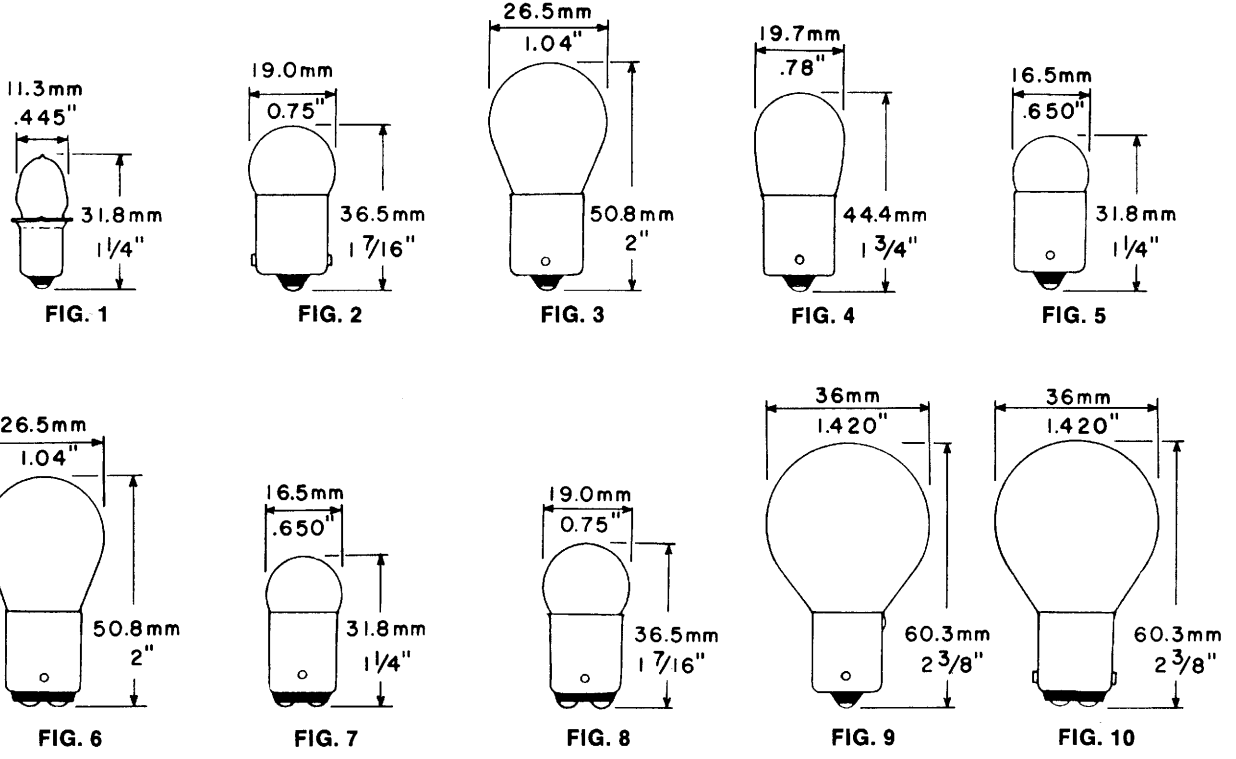
* For Long Life equivalent see Whelen Section

Q — Quartz Halogen
 IF — Inside Frosted Bulb
 R — Outside Coated Red
 SB — Reflectorized Bulb
 G — Outside Coated Green
 AS15 — Aged Lamp Selected to ± 15% Candlepower
 AS10 — Aged Lamp Selected to ± 10% Candlepower
 AF — Outside Frost Bulb
 SR — Stained Red Bulb
 X — Variation of original listed lamp
 DZ — Variation of original listed lamp

1 — Indicator, Instrument
 2 — Interior
 3 — Navigation or Marker
 4 — Logo Lighting
 5 — Flashing Signal
 6 — Landing
 7 — Taxiing
 8 — Wing Inspection
 9 — Ground Service Vehicles
 10 — Emergency
 11 — Floodlight

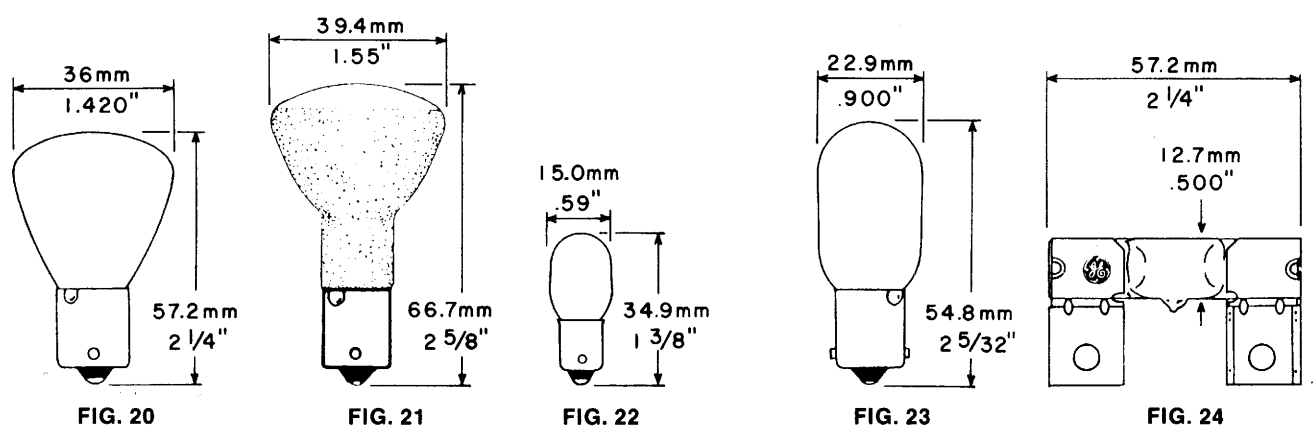
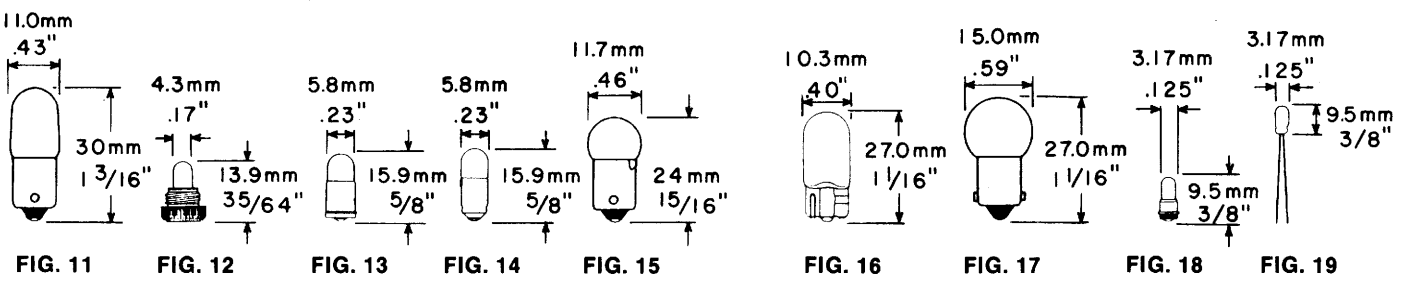
Miniature and Subminiature Lamp Dimensions

Bulb Designations consist of letters and numbers, such as S-8 and PAR46. The letters refer to the shape of the bulb and the number to its approximate diameter in eighths of an inch. Typical bulb shapes and sizes are shown in the lamp drawings below.



————— DIMENSIONS SHOWN ARE MAXIMUM —————

————— LAMPS GAUGED IN ENGLISH —————



Miniature and Subminiature Lamp Dimensions

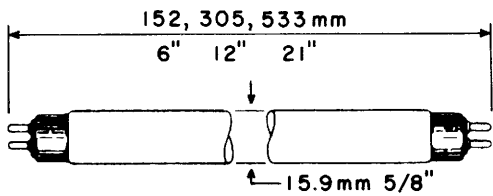


FIG. 29

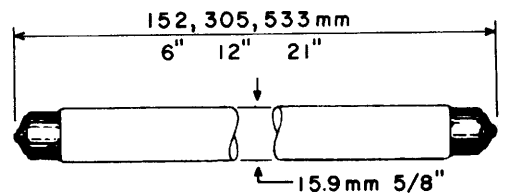


FIG. 30

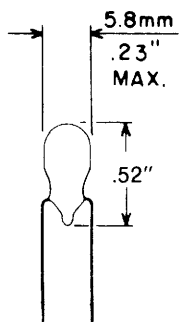


FIG. 31

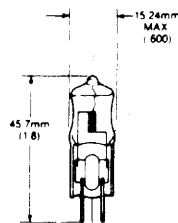


FIG. 32

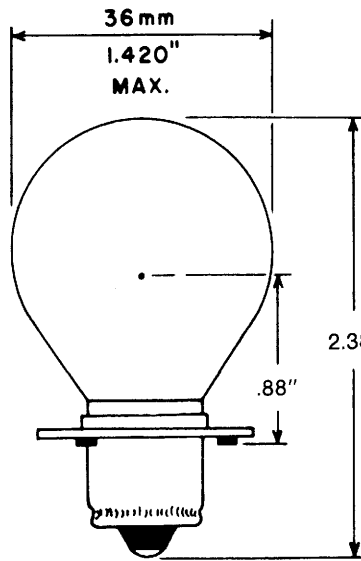


FIG. 33

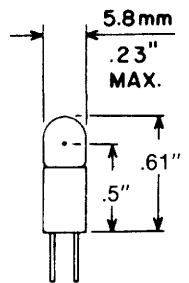


FIG. 34

Sealed Beam Lamp Dimensions

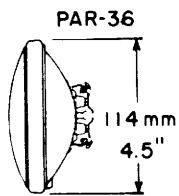


FIG. 25

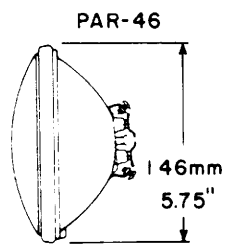


FIG. 26

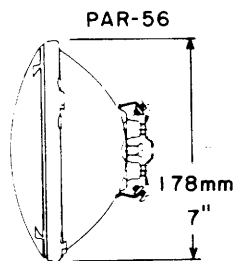


FIG. 27

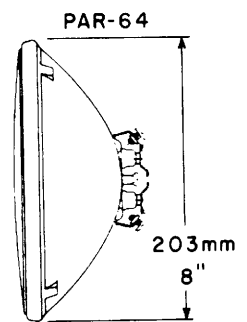


FIG. 28



tel. 01959 576129

GENERAL ELECTRIC

APPLICATIONS CHART

<u>MODEL</u>	<u>LANDING</u>	<u>TAXI</u>	<u>OTHER</u>	<u>MODEL</u>	<u>LANDING</u>	<u>TAXI</u>	<u>OTHER</u>
AUGUSTA				CESSNA (Cont.)			
109A	4596		Tail, 1683	180	4509		Map, 89
AHC				182			Map, 89
AS315B	4553		Tail, 307	182P	4591	4591	
AS316B	4553		Tail, 307	185	4509	4509	Tail, 1777
AS316G	4553		Tail, 307	205	4509		Tail, 93
AS330J		313/4559	Tail, 307	206	4509		Tail, 93
AS341G	4553		Tail, 307	207	4509		Dome, 90
AS350	4596/4626		Tail, 307	207A	4594		
AS355E	4596/4626			210			Dome, 90
AS360C			Tail, 1683	310	4553	4594	Tail, 305
AS365			Tail, 1683	320	4552	4594	Tail, 305
BEECH				336	4594	4594	Tail, 305
100	4596		Panel warning, 327	340		4626	Ice light, 1385
200		4587/4596	Recog. Light, 1982	340A		4626	Ice light, 1385
23	4313			402A			Ice light, 1385
33	4522	4313	Tail, 93	402B	4553	4626	Cabin/courtesy, 302/4
35		4313		402C	4553	4626	Nacelle, 1309
36	4509	4509		404	4553	4626	Ice light, 1385
55	4553	4570		421C	4553	4626	Ice light, 1385
58	4596	4596		441	4553	4594	Tail 305
58P	4596	4596		500	4580	4580	Recog. light, 1986
58TC	4596	4596		550	4580	Q4681/4580	Recog. light, 1986
60	4596	4587		A188B	4509/4591		Hopper, 94,306
77	4509			T207	4509		
90	4596		Beacon, 1939	T207A	4594		
99	4596	4587		DASSAULT			
99A	4596	4587		Falcon	Q4681		Cabin/courtesy, 305/313
A100	4594	4587	Panel warning, 327	Falcon 10	4626	4581	Cabin/courtesy, 327
A36	4509/4596	4509/4596		Falcon 20	4681/4580	4570/4587	Emerg. light, 43
A36TC	4596	4596		Falcon 50	Q4559	4587/4626	Emerg. light, 43,354
A55	4553	4570		DEHAVALLAND			
A60	4596	4587		DHC-6-200	4553	4594	Tail, 307
A90	4596		Panel warning, 327	DHC-6-300	4553	4594	Tail, 1683
B100	4594	4587	Panel warning, 327	DHC-7	4541	4551	Emerg. light, 81
B19	4596/4509	4594/4595		EAGLE			
B55	4553/4596	4570		DW1	4591		Night spray, 4559
B60	4596	4587		EMBRAER			
B90	4596		Panel warning, 327	EMB-110	Q4681/4581	4582	Tail, 1683
B99	4596	4587		ENSTROM			
C23	4509/4596	4594/4595		280C			Hovering, 4406
C24R	4509/4596	4594/4595		FAIRCHILD			
C55	4626	4626		FH1100	4553		Tail, 1683
C90		4587	Tail, 1683	GAF			
D55	4626	4626		N24		4594	Tail, 1683
E33	4509			GATES			
E33A	4509			23	4580	4552	Crew overhead, 1683
E55	4596/4626	4626		24	4580	4552	Tail, 1683
E90	4594		Tail, 1683	25	4580	4552	Tail, 1683
F33A	4596		Tail, 1683	28/29			Tail, 1683
N35	4509/4522			35/36	4580	4552	Tail, 1683
P35	4509/4522			55	4580		Tail, 1683
S35	4509/4522			GULF STREAM			
V35	4509/4522			1000	4553	4587	
V35B	4596	4596		500	4553		
BELL				520	4553		
204B	4580			560	4553		
205A	4580			680	4553		
206A			Tail, 1683	680E	4553		
206B	4596		Tail, 1683	690	4553		Cabin/courtesy, 327
206L-1	4596	4596	Tail, 1683	690A	4553		Cabin/courtesy, 327
206L	4596	4596	Tail, 1683	690B	4553		Cabin/courtesy, 327
212	Q4559	4596	Search, 4580	840	4553	4587	
214B	Q4559	4596	Controllable, 4580	980	4553	4587	
222	4580		Tail, 1683	GI	4559	4570	Fuselage ice, 1683
412	Q4559		Panel warning, 327	GII	4559	4570/4587	Cabin/courtesy, 313/327
BOLKOW				GIII	Q4559/4559	4587/4594	Wheel well, 311/1683
BO-105	4553		Tail, 1683	HAWKER			
CANADAIR				HS125-700	4581	4594	
CL-600	4596	4587	Over Wing Emerg., 81	HS125	4581	4594	
CASA				HILLER			
C-212	4553	4570	Emerg. External, 81	UH12E			Tail, 307
CESSNA				HUGHES			
150K-M	4313/4509	4509	Tail, 1777	269B	4522		Search, 4522
152	4591/4596	4509	Tail, 307	269C	4580		Search, 4580
172	4509	4509	Tail, 1777	369D	4581		Search, 4580
172M	4509/4522		Tail, 1777	369H	4581		Search, 4580
172N (14V)	4522/4523			368H/500C	4581		Search, 4580
172N (28V)	4509/4594						
175			Cabin/courtesy, 89				

GENERAL ELECTRIC

APPLICATIONS CHART (Cont.)

<u>MODEL</u>	<u>LANDING</u>	<u>TAXI</u>	<u>OTHER</u>	<u>MODEL</u>	<u>LANDING</u>	<u>TAXI</u>	<u>OTHER</u>
<u>IAI</u>				<u>PIPER (Cont.)</u>			
1121	4553			PA31-350	4596		Ice light, 4593
1123	4553	4587		PA31T	4596		Ice light, 4593
1124	4553	4587		PA31T1	4596		Recog. light, 1982/4594
<u>LOCKHEED</u>				PA31T2	4596		Ice light, 4593
Jetstar-6	4559	4553		PA34-200T	4509		Ice light, 1383
Jetstar-8	4559	4553		PA34-220T	4509		
Jetstar 731	4559	4553		PA42			Ice light, 4593
Jetstar II	4559/4581	4553	Wing Insp., 4594	PA42	4596		
<u>MITSUBISHI</u>				<u>ROCKWELL</u>			
MU2	4553	4626	Insp. light, 4626	40/60	4581	4581	
MU2B-40	4553	4626	Cabin/courtesy, 1495	65	4581	4581	Thunderstorm, 1385
MU2B-60	4553	4626	Cabin/courtesy, 1495	70			Thunderstorm, 1385
<u>MOONEY</u>				75A	4581	4581	
M20J	4522		Tail, 1777	80			Thunderstorm, 1385
<u>PIPER</u>				<u>SHORTS</u>			
600	4596			SD-3-30	Q4681	4626	Tail, 1683
601	4596			<u>SIKORSKY</u>			
601P	4596			S76	Q4681		Tail, 1683
PA28-151	4509			<u>SWEARINGEN</u>			
PA31-300	4596			SA226AT	4553	4596	Ice light, 4502
PA31-310	4596			SA226T	4553	4596	Ice light, 4502
PA31-325	4596			SA226TC	4553	4596	Ice light, 4502

EQUIVALENTS

<i>TBL No.</i>	<i>GE No.</i>	<i>NATO No.</i>
L.1004	327	995-9118
L.1009	1764	995-9128
L.1014	328	995-9135
L.1122	683	995-1189
L.1123	685	995-1198
L.1336	6839	995-9184
L.1338	387	995-9182

<i>GE No.</i>	<i>Cessna/MS No.</i>
306	MS 15584-15
308	MS 15584-16
1692	MS 15584-8
1816	S 1876-1
1820	S 2244-1
4509	0523118-1