



Gascolators

There are 3 types of Gascolator produced by Andair.

The first, and newest addition to the product line is the GAS10-70. This gascolator is for 1/4" fuel lines, and has been designed for use with Light Sport and Ultralight Aircraft. It features dual filters, and has a screw locking ring that prevents the bowl from coming off, and a facility for this to be wirelocked.

The other 2 Gascolators have been designed for 3/8" and 1/2" lines. Each type has a screw locking ring that prevents the bowl from coming off, and a facility for this to be wirelocked. The bowl is internally sealed with an Viton (R) O-ring. A PTFE coated 70 micron Stainless Steel mesh is used as the filter screen. The PTFE coating helps prevent water from passing, by maintaining it as a droplet formation. A large filter area is present and wide passages have been incorporated so that the pressure loss through the Gascolators is kept to an absolute minimum. There is an 1/8 NPT hole on the bottom of the bowl so it can be drained and also one on the top of the body. This one can be used as a pressure tapping or a filtered supply to the primer pump. A selection of fittings can also be used with the GAS375 and the GAS500.

Click the [Accessories - Fittings](#) for more details, the fittings can be chosen and swapped during the interactive ordering process.

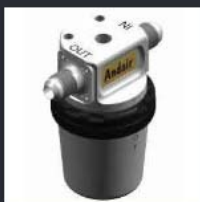
All the Gascolators include a self bleeding air bleed. Here, on first use, and immediately after the bowl/filter has been removed the air trapped inside will automatically be purged out.



GAS10-70 GASCOLATOR

The Andair 1/4" Dual Filter/Gascolator GAS10-70 has been designed for use with Light Sport, Ultralight and Microlight Aircraft. For maximum efficiency this gascolator has Dual Filters; a 100 micron filter in the bowl and a 70 micron filter in the outlet line, useful when unapproved.

[View more information...](#)



GAS375 GASCOLATOR

The all aluminium 3/8" Andair Gascolator GAS375 offers a choice of fittings on both the inlet and the outlet plus a choice of fuel flow direction. All Andair Gascolators can be sited either on the suction side or the pressure side of the fuel pump.

[View more information...](#)



GAS500 GASCOLATOR

The all aluminium 1/2" Andair Gascolator GAS500 offers a choice of fittings on both the inlet and the outlet plus a choice of fuel flow direction. All Andair Gascolators can be sited either on the suction side or the pressure side of the fuel pump.

[View more information...](#)

PRODUCT - Gascolator GAS375

SPEC SHEET

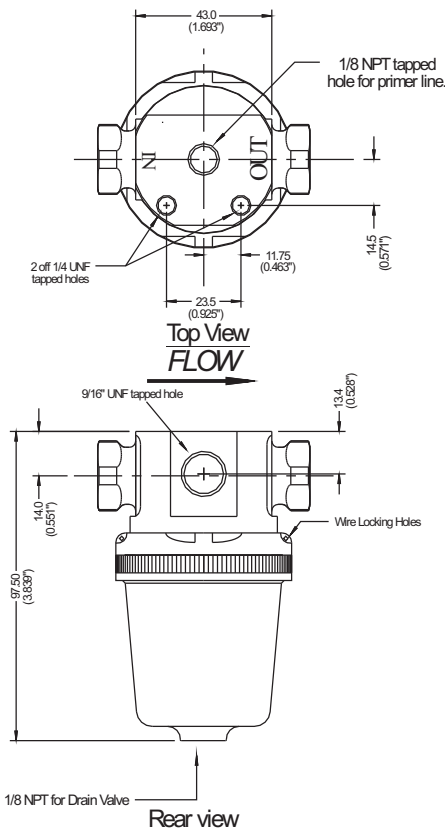
GAS01 REV3

This premium Gascolator is machined from solid aluminium and anodised for corrosion protection. Inside the GAS375 is an improved filtration device to prevent any water getting into the engine. The PTFE coated 70 micron washable screen gives the unit excellent flow characteristics and minimal pressure drop. An Air Bleed Vent ensures that any air trapped after maintenance escapes. The GAS375 has internal o-rings ensuring that the unit can be used on pressurised fuel systems.

Mounting is made using the 9/16 UNF tapped hole in the back or the two 1/4-UNF holes on the top. Additionally Andair now produce a bracket for this Gascolator.



The GAS375-F is shown above, fitted with the Andair all Stainless Steel zero corrosion drain valve and Female fittings (1/4" NPT)



General Specification

- Interchangeable fittings.
- 1/8" NPT bowl drain and pressure tapping.
- Air bleed Vent.
- Impervious to all known fuels.
- SWP 100 PSI.
- Rear 9/16" UNF mounting point.
- Two top 1/4" UNF Mounting points.
- Weight 152g (excluding fittings).
- Cleanable filter.
- Low pressure loss through unit.



This image shows the high surface area filter screen

Gascolator Accessories



Drain Valve (DV125)

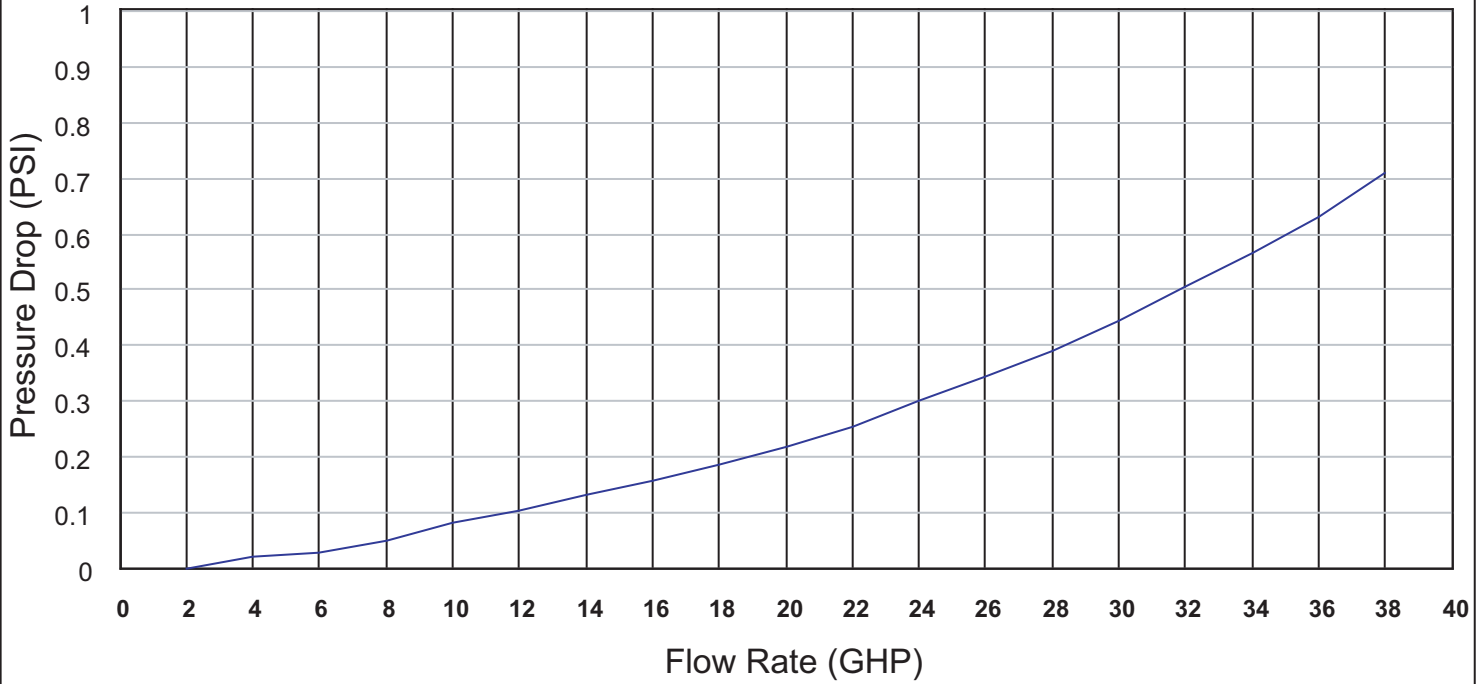
New to Andairs product line is this all Stainless Steel Drain Valve. Machined with 1/8" NPT and using a Viton O-ring, this drain valve will not corrode or leak.



Collector Cup (CC125)

To sample fuel for water contamination use our new sample cup. It can be used with all standard drain valves and is light and easy to use. The snap on lid prevents the nasty petrol fumes lurking in the cockpit and there's no need to worry about the wind as the cup shields it out. Made from anodised aluminium.

Andair Gascolator GAS375



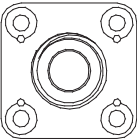
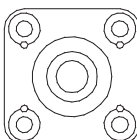
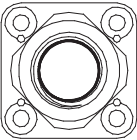
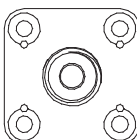
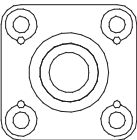
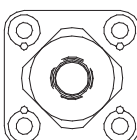
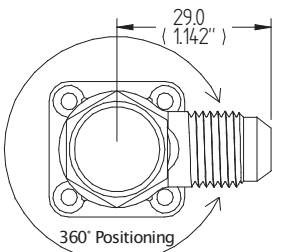
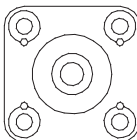
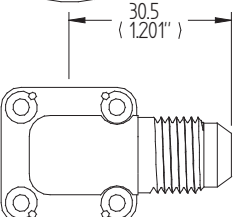
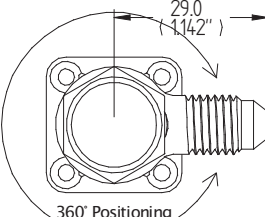
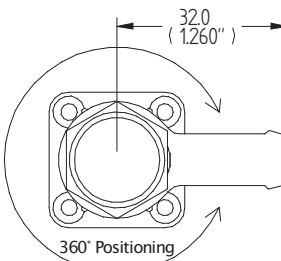
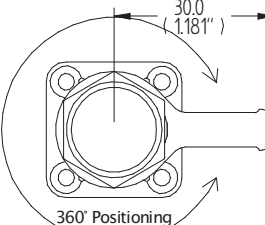
Data	Flow Rate (GHP)	Pressure Drop (PSI)
	2	0.00
	4	0.02
	6	0.03
	8	0.05
	10	0.08
	12	0.11
	14	0.14
	16	0.16
	18	0.19
	20	0.22
	22	0.26
	24	0.30
	26	0.35
	28	0.39
	30	0.44
	32	0.50
	34	0.56
	36	0.63
	38	0.71

Andair Gascolator GAS375

Fitting Options

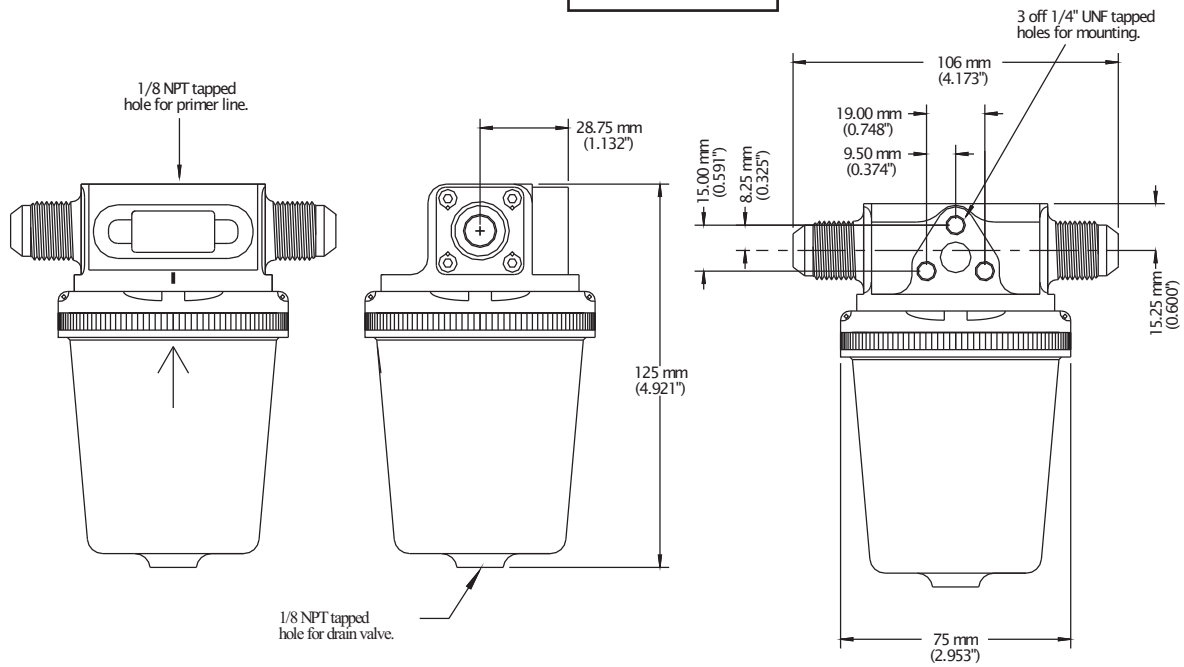
SPEC SHEET
GAS01_{REV3}

These fittings fit the following products: all FS20, EFS20, FS2020 and EFS2020 fuel selectors, the feed line of the FS22 and EFS22 duplex fuel selectors, the return line of the FS2520 and EFS2520 duplex fuel selectors, and all GAS375 gascolators.

	<p>MF20 AN-6 Male Fitting</p>			<p>HF20-Q 5/16" Hose Fitting</p>	
	<p>FF20 1/4" NPT Female Fitting</p>			<p>MF20-L AN-4 Male Fitting</p>	
	<p>HF20 3/8" Hose Fitting</p>			<p>FF20-A 1/8" NPT Female Fitting</p>	
	<p>BF20 AN-6 Male Banjo Fitting</p>			<p>HF20-E 1/4" Hose Fitting</p>	
	<p>EF20 AN-6 Male Elbow Fitting</p>			<p>BF20-J AN-4 Banjo Fitting</p>	
	<p>BF20-H 3/8" Hose Banjo Fitting</p>			<p>BF20-E 1/4" Hose Banjo Fitting</p>	

PRODUCT - Gascolator GAS500	SPEC SHEET GAS02 _{REV2}
------------------------------------	---

GAS500



Suitable for engines of 500+ HP, the GAS500 is a tough, rugged and compact Gascolator. Precision machined from aircraft grade Aluminium and chromic anodised for protection, this Gascolator is the leader of the field.

On looking at the front of the Gascolator, fuel flows in to the right hand port and exits via the port on the left. The fuel cascades over the filter and fills the bowl. To exit, the fuel must be drawn through the PTFE coated 70 micron Stainless Steel filter screen. The PTFE coating helps prevent the water from passing through by maintaining the water in a droplet formation.

General Specification

- 2 x SP101 fittings
- 1/8" NPT bowl drain and pressure tapping.
- Air bleed vent (Allows air that is trapped in the unit after maintenance to escape).
- Impervious to all known fuels including turbine fuel.
- SWP 100 PSI.
- Weight 287g (excluding fittings).
- Cleanable filter.
- Low pressure loss through unit.



Here the GAS500-F is shown fitted with Female 3/8" NPT fittings

Gascolator Accessories



Drain Valve (DV125)

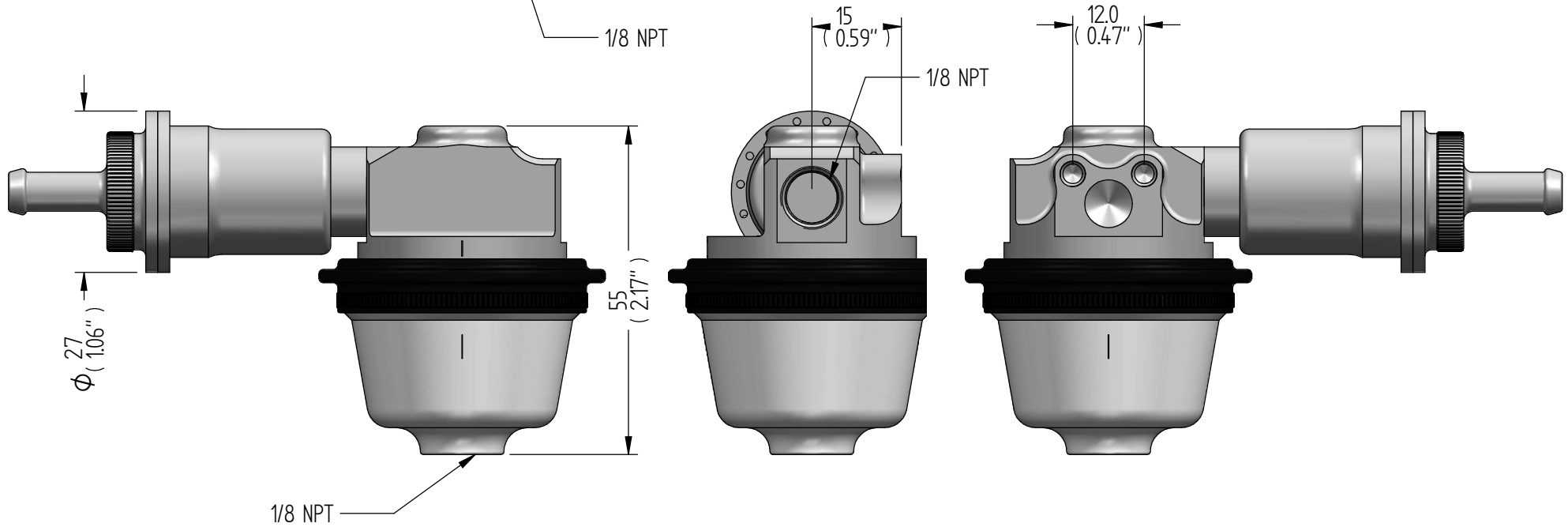
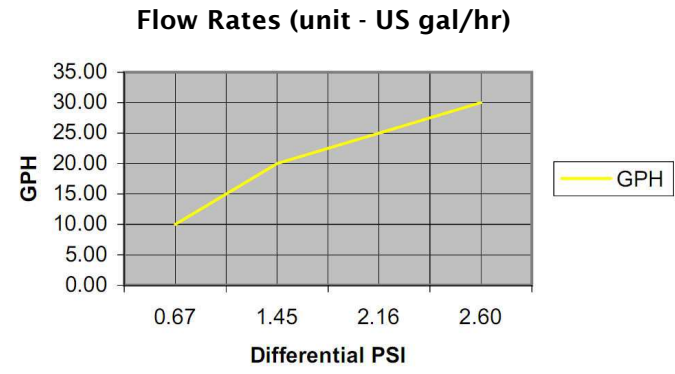
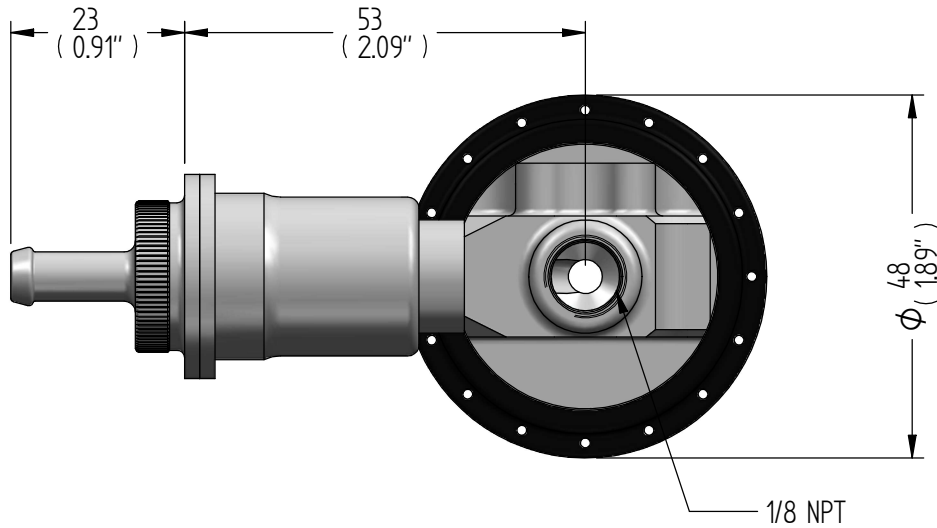
New to Andairs product line is this all Stainless Steel Drain Valve. Machined with 1/8" NPT and using a Viton O-ring, this drain valve will not corrode or leak.



Collector Cup (CC125)

To sample fuel for water contamination use our new sample cup. It can be used with all standard drain valves and is light and easy to use. The snap on lid prevents the nasty petrol fumes lurking in the cockpit and there's no need to worry about the wind as the cup shields it out. Made from anodised aluminium.

Part No. GAS10-70	CAD generated drawing. Do not manually update.	Issue	ECN#	Change	Date	Drawn	Checked	Approval	Approval Date
		1		First drawn	01/02/2008	A Lindsay			



Andair Ltd.	<small>Andair Ltd. OWNS THE COPYRIGHT OF THIS DRAWING WHICH IS SUPPLIED IN CONFIDENCE, AND MUST NOT BE USED FOR ANY PURPOSE OTHER THAN FOR WHICH IT IS SUPPLIED, AND MUST NOT BE REPRODUCED IN WHOLE OR IN PART WITHOUT THE PERMISSION IN WRITING OF THE OWNERS.</small>	All dimensions are in millimeters.		Description: Gascolator
	Tolerances unless otherwise specified : x. : ± 0.20 x.x : ± 0.10 x.xx : ± 0.05	Material:		Part No. GAS10-70